

Mini Full HD Color Video Camera

User Manual



Precaution

Electrical Safety

Confirm country and local electrical safety standard when using or installing the product. The product itself has no power switch. Please stop power supply or plug out power socket when it is not in good working. Video wire and control wire should be insulated and individual connected, can not mix-up with other wires.

Transportation with care

Product should be protected against extremes of pressure, vibration and humidity during transportation, storage and installation. It is transported by integrated packing style.

Installation with care

Please read carefully user installation manual when installation. Please pick up the camera parts gently and do not press it, or else, which may cause malfunction; the camera parts belong to senior optical products, please do not touch it by your hand in order to avoid scratch for protecting the imaging quality.

Requirements to service personnel

All the service work should be done by qualified technicians.

Do not disassemble the Pan/Tilt module

Do not disassemble screws and repair the parts of the Pan/Tilt module by yourself. Only qualified and professional personnel can do this job.

Environmental Requirements

Environmental temp: $-10^{\circ}\text{C} \sim +50^{\circ}\text{C}$ Humidity: $<95\%$

Air Pressure: $86 \sim 106 \text{ Kpa}$

Power supply: $\text{DC } 12\text{V} \pm 2\text{V}$

Power consumption: Maximum $12\text{W DC } 12\text{V}$

Don't focus the camera on objects with strong light

Don't focus the camera direct to the sun or other bright objects no matter when in use or not. Otherwise, it may affect image quality.

Performance

Dome Parameter

Electricity		Communications	
Power supply	DC12V	Baud rate	2400/4800/9600 /115200
Power consumption	12W	Protocol	VISCA/PELCO-D/ PELCO-P
Decoder	Built in	Address setting	1~255
Operation		Environmental	
Pan rotation	-170° ~ +173°	operation environment	-10°C ~+50°C
Tilt rotation	-30° ~ +90°	Environmental humidity	-10°C ~+60°C
Presets	Remote controller: 9	Net weight	0.6 kg
	Visca: 255	Installation	Stand-up position

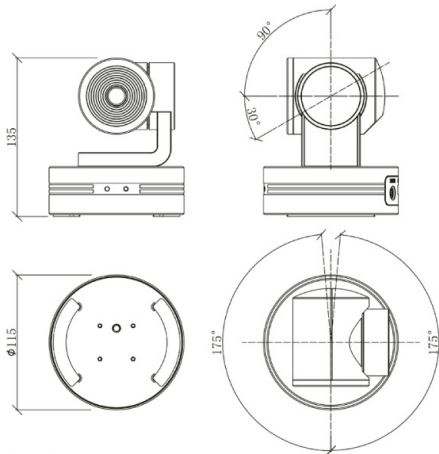
Camera Parameter

MODEL	U20F	U210
Video CMOS Sensor	1/2.8 CMOS	
Effective pixel	2.1 MP	
Zoom	Fixed lens	10X Optical, 10X Digital Zoom
Focus	f=2.8mm	f=5.1mm~51mm
Angle Field of view	87° (W)	72° (W)
Minimum illumination	0.1 Lux (F1.2)	
Pan/Tilt Speed	0.1° ~ 100° /s 0.1° ~ 80° /s	
Preset	255	
Communication Interface	RS-232, USB 2.0	
Power Supply Interface	DC 12V 2A	

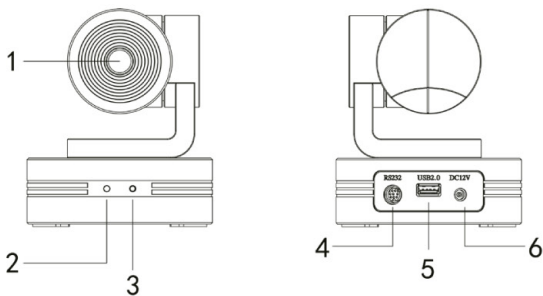
Technical Specification

Dimension

The Size for High definition video conference camera is as below: (mm)



Camera Interface



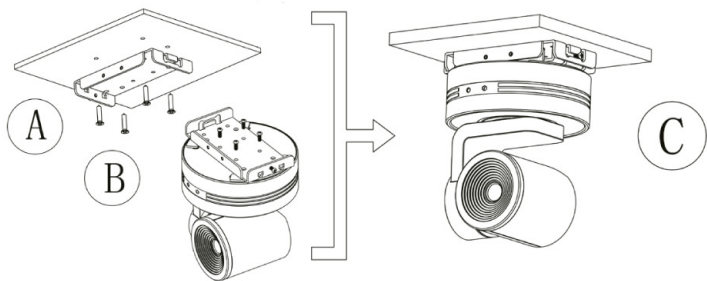
- 1.Len
- 2.Standby Light
- 3.Power

- 4.RS232 IN
- 5.USB 2.0 Output
- 6.DC 12V POWER

Installation Instruction

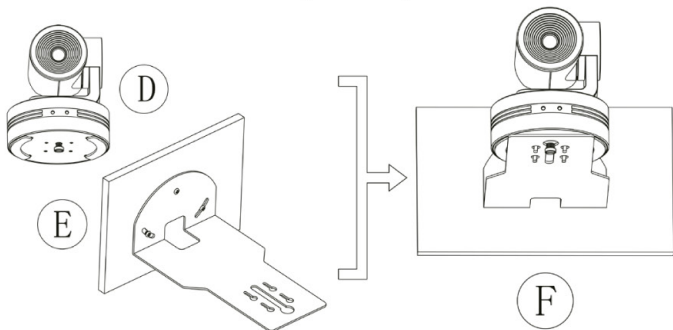
Ceiling Support

1. To drill PM3*8 screw hole in ceiling, use 4pc STP4 16 cross screws to fix the upside-down (picture A)
2. Use 4pc STP4 8 cross screws to fix the another mount installation board of video conference camera on ceiling (picture B)
3. Match two mounts like picture C



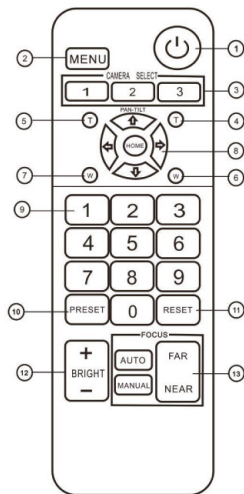
Wall support

1. Wall mount fixed to wall (picture E)
2. Camera fixed to wall mount (picture D)



Operation Instruction

○ Remote Controller Introduction



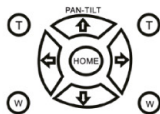
- 1.POWER
- 2.[MENU]: Menu functions,Enter/Exit the menu.
- 3.[CAMERA SELECT]: Camera ID select, select the target camera you need.
- 4.[FAST T]: Swiftly adjust the lens to focus the nearby object*
- 5.[SLOW T]: Slightly adjust the lens to focus the nearby object*
- 6.[FAST W]: Swiftly adjust the lens to focus the distant object*
- 7.[SLOW W]: Slightly adjust the lens to focus the distant object*
- 8.PTZ Controller, PTZ turn according to the arrow. [HOME]: lenses backs to the center
- 9.Number key
- 10.[PRESET]+Number(1-9): set the presets you want.
- 11.[RESET]+Number(1-9): reset the presets you want.
- 12.[BRIGHT]: + mean increase, - mean decrease
- 13.[FOCUS]: Camera focus select*
[AUTO]:Automatic focus*
[MANUAL]: Manual focus*
[FAR]: Manual focus, make the far object clearer*
[NEAR]: Manual focus, make the near object clearer*

○ Camera ID Select



Select the target camera ID (from No.1 to No.3) When the camera ID is beyond 3, select No.1 will enable you to operate the camera.

○ Zoom Setting



Press the four [ZOOM] buttons to zoom the target object

○ Pan/Tilt Control



press the corresponding key to adjust the angle of the lens.

Tip: Keep pressing the direction button in a period of time will enable the camera rotating in a fast speed.

○ Focus



[AUTO] Enable camera automatically focus
[MANUAL] Switch to manually control mode*
[FAR] Manually focus the distant object*
[NEAR] Manually focus the nearby object*

○ Bright Setting



Strong background ray can make back-lighting objects engender shadow press [BRIGHT+] to

activate the back light mode. Quit the back light mode press [BRIGHT-] button.

○ Preset Setting



1、 Save the preset press [PRESET] button first ,then press any of the numbers you need (from1-9) to save the preset.

※Notice: You can save at most 9 presets through the remote controller.

2、 Call the preset press the saved preset number from1-9 will activate the corresponding preset position.

※Notice: Call a preset number has not been saved will be invalid.

3、 Reset the preset Press [RESET] button first ,then press the number (from1-9) will clear the corresponding preset.

**Noted: The camera with fixed Lens is not available for above functions.*

Warranty & Maintain Service Terms

Warranty Range

- three - year Free Warranty period.
- three - year after the free warranty, the same fault occurs with in three months of the chargemaintenance, and will be repaired free of charge.
- Due to force majeure reasons (such as war, earthquakes, lightning, etc.),improper use, installation errors and other non-normal operation or accident caused by failure is not covered by the free warranty;
- During transportation and storage, prevent the product from being damaged by heavy pressure, violent vibration and rain soaking. Therefore, the damage caused is not covered by the free warranty;
- This product must be adopt split package and the original packaging materials transport, if use overall assembly packaging Damage caused by the type of product or did not use the original packaging transport, does not belong to the scope of free warranty;
- Prohibit the user without permission to disassemble the machine, the user to disassemble the repaired product, is not within the scope of free warranty. For the fault products over the warranty period, the company implemented lifetime provide paid maintenance services;
- For the malfunction of products with in the period of warranty, please fill in the form of warranty information correctly, describe the trouble in details, and provide original sales. invoice or its copy.
- For the damage and loss which was caused by the user's specifically application, factory won't bear any risk and responsibility. The factory compensation made by breach of faith, negligence or tortuous won't exceed the amount of the products. The factory won't bear any responsibility for the special, unexpected and continue damage caused by any other Reasons.
- Our company has the final right of explanation for the above terms.

Warranty Conditions

The buyer need to send the malfunction products with warranty information together

Repairing

If the products need to return to Manufacturer for repairs, which can through Channel Distributor, also can direct return to manufacturer. If you direct return to manufacturer, in order to process it fast, please contact us in advance. The manufacturer only afford one-Way shipping cost from us to Channel Distributor.

Warranty Terms

Thanks for your purchase of our company's video conferencing camera products, we would like to thank you again!

In order to protect your legitimate rights and interests, remove your worries, and to improve customer service, specially formulated this warranty regulations, please read carefully and provide valuable advice and suggestions.

- 1、 the company's products from the date of sale, the warranty for one year, life-long maintenance (parts not covered under warranty). For product warranty over the term of the free warranty service, the Company will charge the cost of the part as appropriate for the product fault condition.
- 2、 repair products, please properly packaged shipping, shipping process if destroyed or lost, the company will not be responsible.
- 3、 during the free warranty period, the following matters, the company reserves the right to refuse services or charge materials, service fees, as appropriate. a, improper use of the user caused product failure or damage; b, electric shock or improper installation led to the accident of burning; c, non-repair service damage caused by the repair.
- 4、 Before installation of the company's products, please read the product manual carefully.
- 5、 the warranty card must be Chop by distributor company and indicate the sales date to ensure that your rights.